

QUICK START GUIDE



DVDO **EDGE** **Green**

1 Remove EDGE GREEN and other components from the box. (Save packing materials in case they're needed.)

2 Review the documentation for important information and/or updates.

Notice: The information contained in this Quick Start Guide, including but not limited to any product specifications, is subject to change without notice.

3 Check the components:

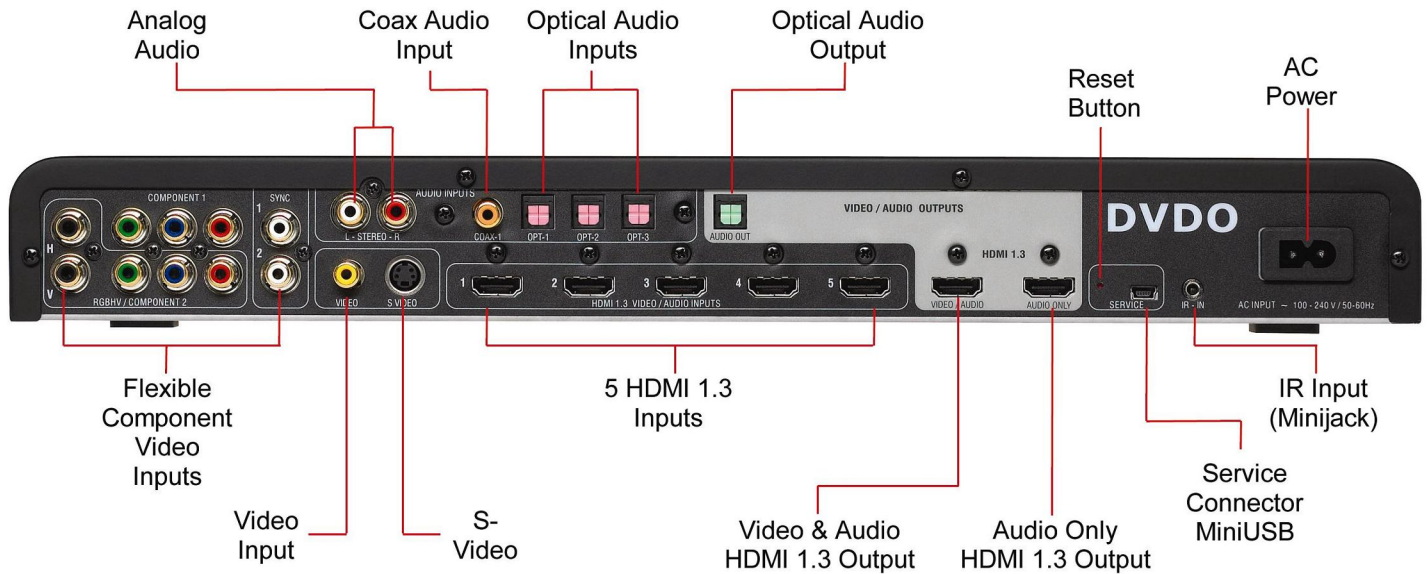
- EDGE GREEN High Definition Video Processor and Hub
- US IEC Power Cord (International Customers, consult your local authorized DVDO reseller)
- Remote Control
- Batteries for Remote Control
- Std-A plug to Mini-B plug 5-pin USB cable

If any items are missing or damaged, please notify your dealer immediately.

(Quick Start Guide Continues on Reverse Side)

- 4 Connect EDGE GREEN to your TV (or projector) and to the rest of your AV System.** Connect EDGE GREEN's Video & Audio HDMI Output to an HDMI input on your TV (or projector). If your system includes an AV Receiver, use the Audio-Only HDMI Output connector on EDGE GREEN to send audio to your AV Receiver. Connect sources, such as Blu-ray or cable-TV, with HDMI whenever possible. **See setup diagrams on next page.** (Note: Your TV or projector **MUST** have an HDMI or DVI input to connect EDGE GREEN. Use an HDMI-to-DVI adapter for a DVI input.)

Use this **Rear Panel Connection Guide** to find the proper connections for the AV components in your system:

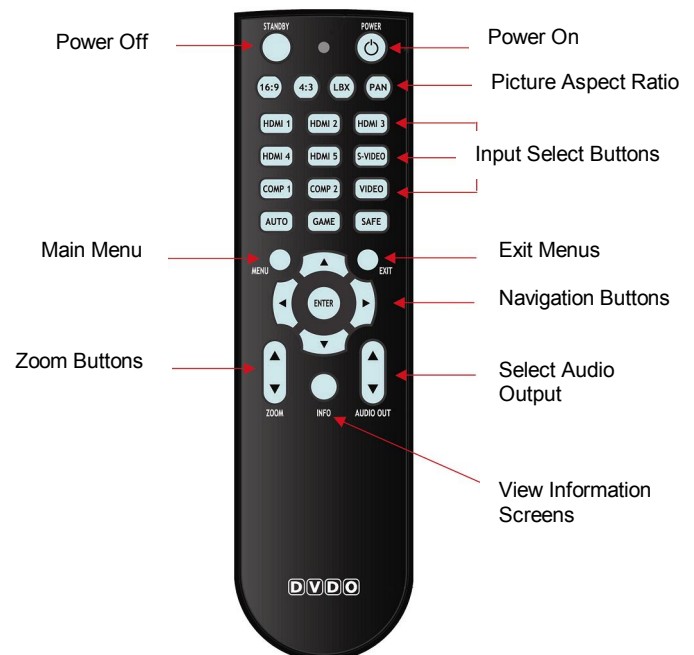


- 5 Connect AC Power cord** to EDGE GREEN and plug into wall outlet.
- 6 Insert batteries** in EDGE GREEN remote control.
- 7 Power up your system.** Turn on your TV (or projector), AV Receiver (if used) and all other components connected to EDGE GREEN first. Use the Remote Control to turn EDGE GREEN power on (front panel indicator light will be on.)
- 8 Switch the TV (or projector or display) to the HDMI input that you connected EDGE GREEN to.**
- 9 Follow the on-screen Setup Wizards.** EDGE GREEN will customize its output settings to match your television (or projector or display), and will then customize its input settings to match the components you have connected.

TIP: Choose "Auto Select" to simplify setup whenever possible. EDGE GREEN will automatically detect your TV or projector/display type, and will automatically detect most source devices connected to its HDMI inputs.

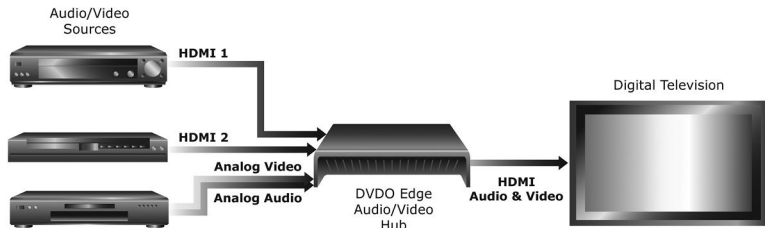
See the EDGE GREEN User Manual (available at www.simplaylabs.com) for detailed setup instructions (including setup of analog video input connections and associating audio connections with video.)

- 10 Enjoy!** Use EDGE GREEN to select source (DVD, cable-TV, Blu-ray, satellite, etc.) and to adjust picture aspect ratio. EDGE GREEN automatically enhances picture quality. EDGE GREEN can automatically select which source to view. See User Manual for more info.

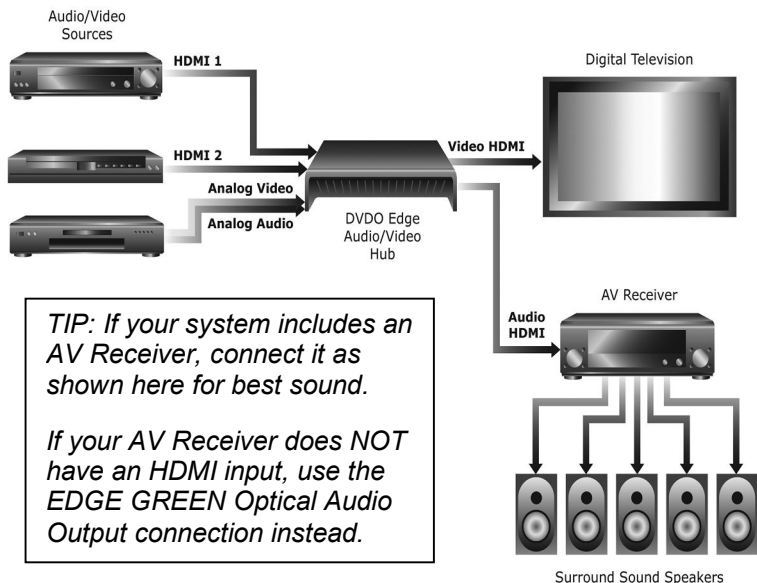


EDGE GREEN Remote Control. See User Manual for additional buttons and operation details.

BASIC SETUP: USING TV SPEAKERS FOR SOUND



HOME THEATER SETUP: USING AV RECEIVER FOR SOUND



TIP: If your system includes an AV Receiver, connect it as shown here for best sound.

If your AV Receiver does NOT have an HDMI input, use the EDGE GREEN Optical Audio Output connection instead.

TROUBLESHOOTING TIPS

If you see no picture...

- Make sure all components have power on. Make sure EDGE GREEN has power on.
- Is the TV (or projector) powered on and switched to the HDMI input that you connected EDGE GREEN to?
- Pressing the "SAFE" button may help produce an image on the TV (or projector) by changing the output resolution to one that your screen accepts. (Press again to end SAFE mode.)
- See User Manual (available at www.simplaylabs.com) for more info.

Customer Support Information

email: info@simplaylabs.com
phone: 1-888-436-4411
web site: www.simplaylabs.com

