

Unpack the box

1. Remove the components and iScan HD/HD+ unit from the box. Save the packing materials in case you need them later.
2. Remove the documentation for important information.

Notice

The information contained on this Quick Start card, including but not limited to any product specifications, is subject to change without notice.

Check the components

Your iScan unit comes with:

- iScan HD/HD+ Audio/Video Processor
- Universal 6V@5A AC to DC Power Converter
- Removable Power Cord
- Remote Control with two AAA batteries
- Product Guide

If any items are missing or damaged, please notify your dealer immediately.

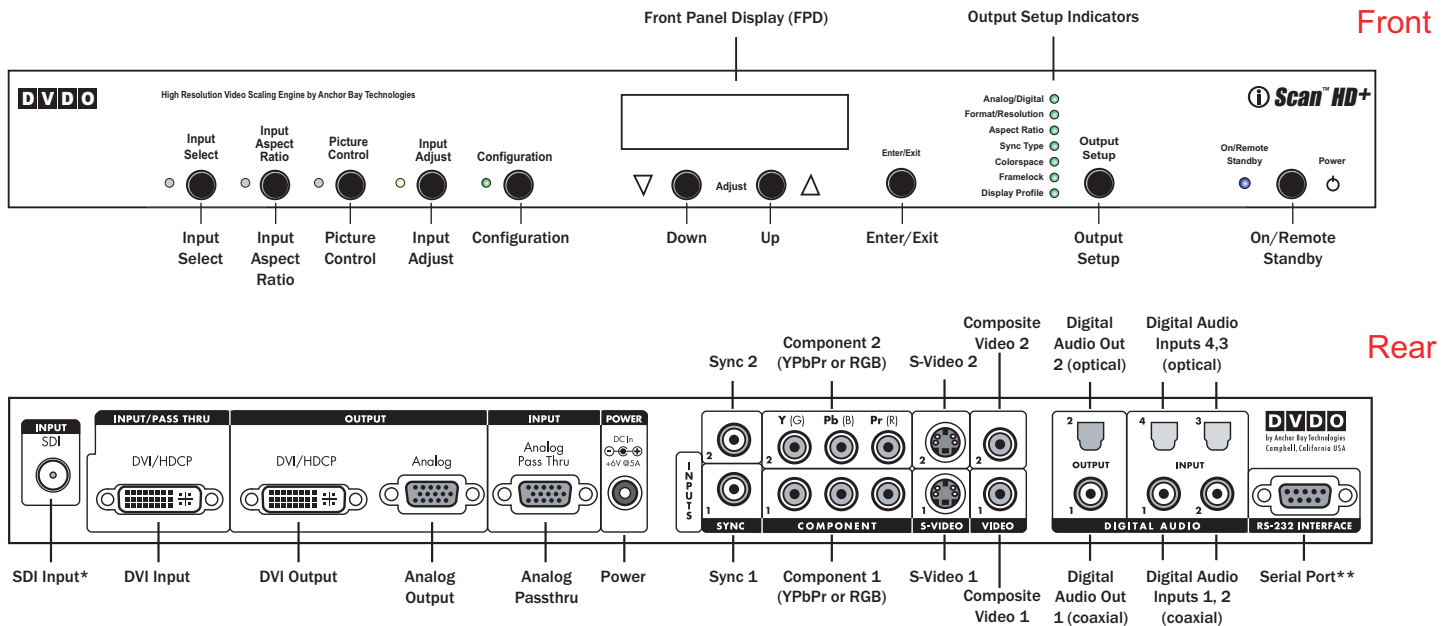
Quick Note

This Quick Start Guide has been created to assist you in the first step of setting up your iScan HD/HD+ unit, which is accessing the iScan's On Screen Display (OSD) on your screen.

Accessing the iScan's OSD is crucial, not only in allowing the user to navigate the menu system, but it's presence lets the user know that the iScan is sending a compatible signal to the display. If the OSD is not visible on the display's screen by pressing one of the sub-menu buttons on the remote control, then the Output Setup of the iScan must be configured to work with the input that is being used on the display. Following all of the steps provided should allow you to see the OSD.

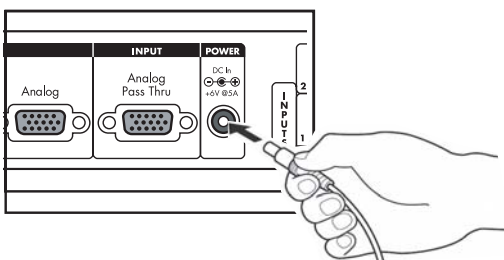
To best set up your iScan HD/HD+ unit with your display, we recommend that you consult your **iScan HD/HD+ Product Guide**.

Quick Tour



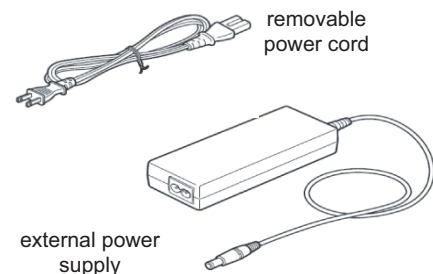
*SDI Video Input Module Required
** For automation & software downloads

STEP 1 - Powering Up



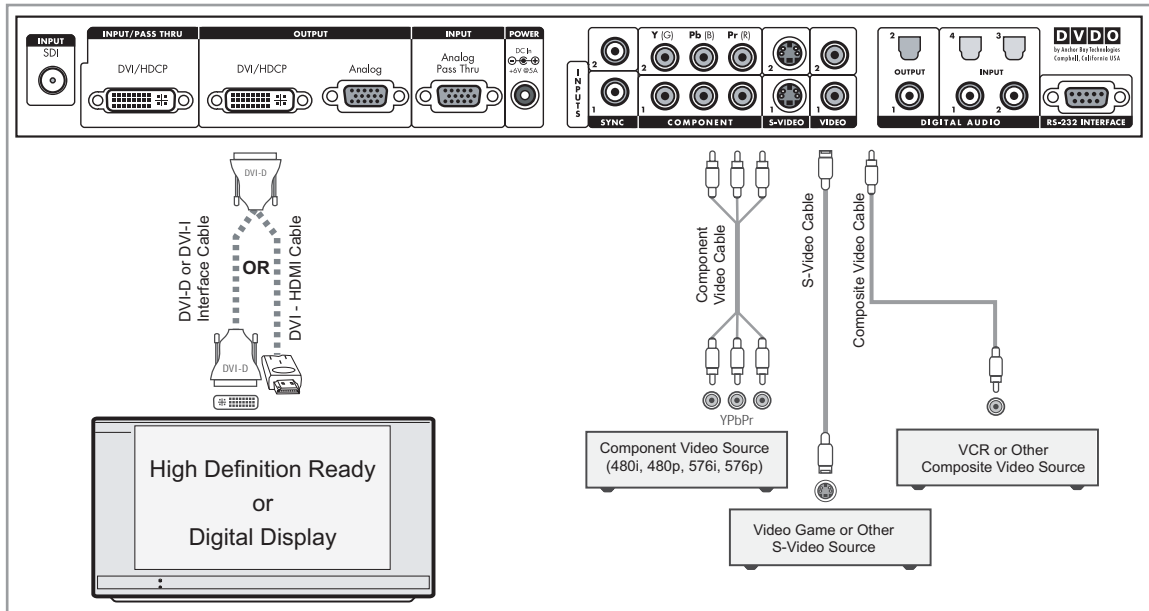
Attach the removable power cord to the external power supply. Plug the removable power cord into a wall outlet or power conditioner, if applicable. Plug the small connector attached to the cable that comes out of the power supply into your iScan HD/HD+.

Your iScan HD/HD+ should power on and display 'DVDO' on the FPD. The Status LED on your iScan HD/HD+ will turn green and the 'Input Select' LED will be red, verifying that there are no active inputs detected.



STEP 2 - Connecting the iScan HD/HD+ in your system

Displays with DVI or HDMI input



Connections:

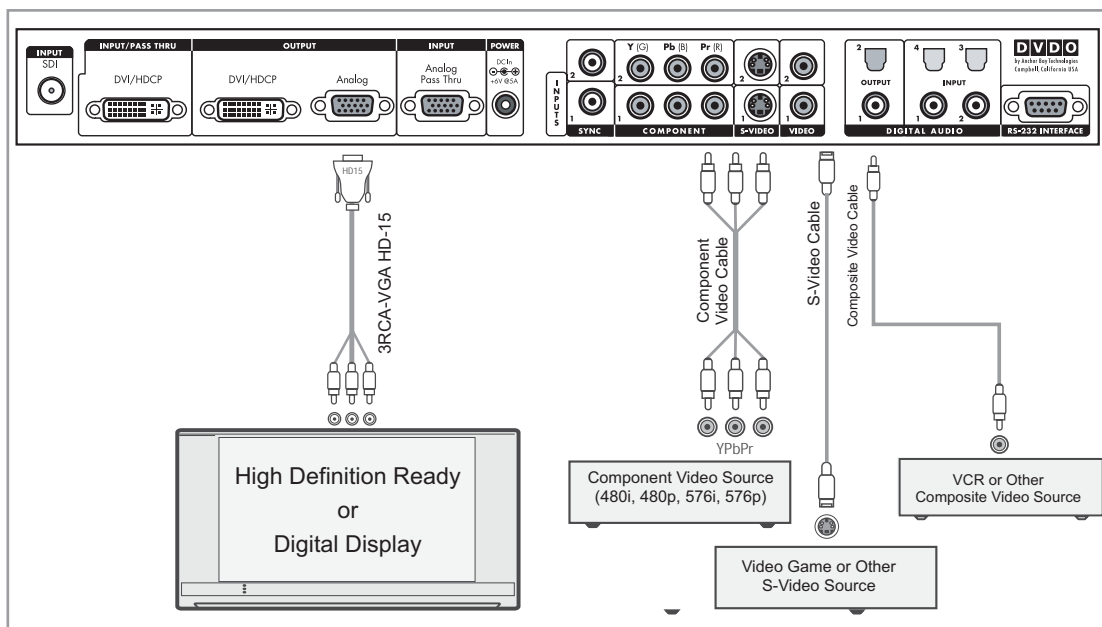
You can connect the iScan HD/HD+ to the DVI or HDMI input of your display if the following video sources are connected to the iScan HD/HD+:

- Composite video source
- S-video source
- Standard Definition (480i, 480p, 576i or 576p) component video source
- DVI source
- HDMI source
- SDI video source (optional)

The DVI output of the iScan HD/HD+ **cannot be used** if the following sources are connected to the iScan HD/HD+:

- High Definition (1080i or 720p) component video source: HD-TiVo, Cable or Satellite HD receiver, Xbox game console, PS2

Displays with component (YPbPr) input



- RGBHV source: computer, Cable or Satellite HD receiver with a VGA output connector

Explanation: The iScan HD/HD+ only passes through RGBHV or High Definition component video sources. It does not convert these types of sources to DVI/HDMI.

Set-up:

Press the 'Output Setup' button on the front panel of your iScan HD/HD+ one time.

You should see 'A/D' on the FPD.

Press the ▼ 'Adjust' button one time.

You should see 'DVIV' on the FPD.

Press the 'Enter/Exit' button.

You should see the iScan HD/HD+'s On Screen Display (OSD) on your screen.

Connections:

You can connect the iScan HD/HD+ to the component (YPbPr) input of your display if the following video sources are connected to the iScan HD/HD+:

- Composite video source
- S-video source
- Standard Definition (480i, 480p, 576i or 576p) or High-Definition (720p, 1080i) component video sources
- SDI video source (optional)

The iScan HD/HD+ **cannot** output a component signal if the following sources are connected to the iScan HD/HD+:

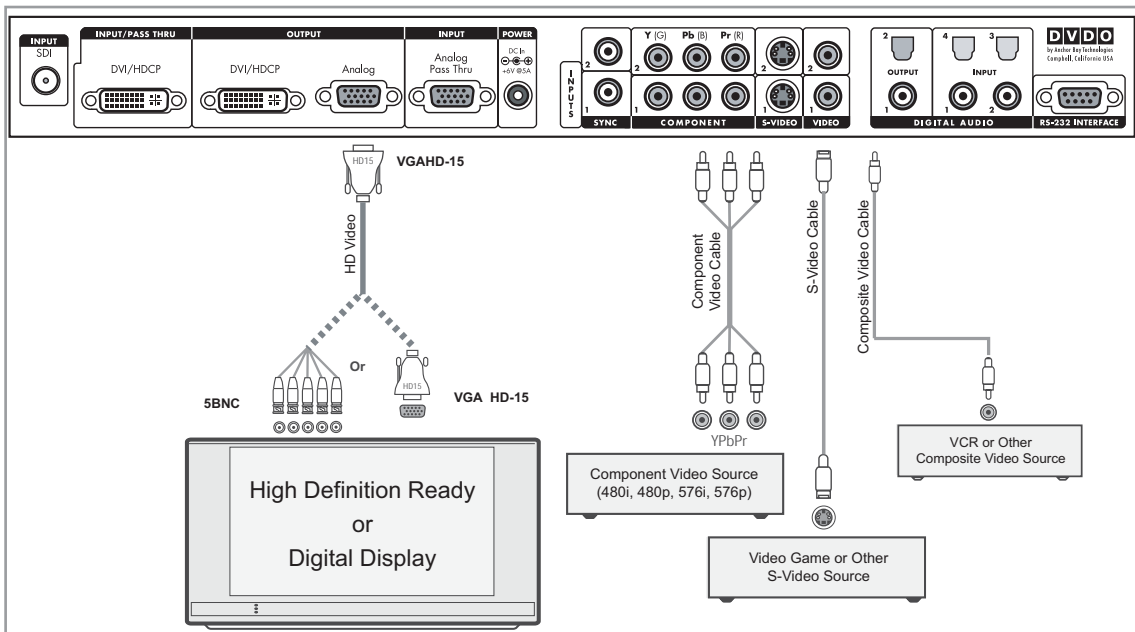
- DVI or HDMI source*
- RGBHV source: computer, Cable or Satellite HD receiver with a VGA output connector

*Exception:

iScan HD+: if your DVI or HDMI source is not HDCP encrypted & is 480p, 720p or 1080i, then the iScan HD+ can output a component signal.

iScan HD: if your DVI or HDMI source is not HDCP encrypted & is 480p or 576p, then the iScan HD can output a component signal.

Displays with a VGA HD-15 or 5BNC RGBHV input



Connections:

You can connect the iScan HD/HD+ to the RGBHV input (VGA HD-15 or 5BNC connectors) of your display if the following video sources are connected to the iScan HD/HD+:

- Composite video source
- S-video source
- Standard Definition (480i, 480p, 576i or 576p) component video source
- RGBHV source: computer, Cable or Satellite HD receivers with a VGA output connector
- SDI video source (optional)

The iScan HD/HD+ **cannot** output an RGBHV signal if the following sources are connected to the iScan HD/HD+:

- High Definition (1080i or 720p) component video source: HD-TiVo, Cable or Satellite HD receiver, (Xbox game console, PS2)
- DVI or HDMI source*

*Exception:

iScan HD+: if your DVI or HDMI source is not HDCP encrypted, then the iScan HD+ can output an RGBHV signal.

iScan HD: if your DVI or HDMI source is not HDCP encrypted & is 480p or 576p, then the iScan HD can output an RGBHV signal.

Set-up:

Press the 'Output Setup' button on the front panel of your iScan HD/HD+ one time.

You should see 'A/D' on the FPD.

Press the ▼ 'Adjust' button until you see 'ANLG' on the FPD.

Press the 'Enter/Exit' button.

Press the 'Output Setup' button four times until the 'Colorspace' LED is selected.

You should see 'COLR' on the FPD.

Press the ▼ 'Adjust' button until you see 'YUV' on the FPD.

Press the 'Enter/Exit' button.

You should see the on screen display from your iScan HD/HD+ on your display.

NOTE: A factory default will also setup the iScan to output a component video signal.

Set-up:

Press the 'Output Setup' button on the front panel of your iScan HD/HD+ four times, until you see 'SYNC' on the FPD.

Press the ▼ 'Adjust' button four times, until you see 'H+V+' on the FPD

Press 'Enter/Exit'.

You should see 'SYNC on the FPD.

Press the 'Output Setup' button one time.

You should see 'COLR' on the FPD.

Press the ▼ 'Adjust' button one time.

You should see 'RGB'.

Press the 'Enter/Exit' button to select 'RGB'.

You should see the iScan HD/HD+'s On Screen Display (OSD) on your screen.

Troubleshooting

1. What should I do if the front panel display (FPD) of my iScan HD/HD+ is showing an error ('ERR') message?

If the iScan HD/HD+ does not boot correctly, you may get an error message. Performing a hard reset of the iScan should clear any memory errors and reboot the unit to its factory default (480p component output). If you still get an error message after performing a hard reset, contact our Technical Support department for assistance.

- a. Performing a hard reset of the iScan using the remote control:
 - Press the 'Configuration' button on the remote control until the FPD reads 'FCTD'
 - Press the 'Enter' button. The FPD will read 'NO'
 - Press the up arrow button. The FPD will read 'YES'
 - Press the 'Enter' button. The iScan will reboot to its factory default.
- b. Performing a hard reset of the iScan using the buttons on the front panel:
 - Unplug the power from the back of the iScan
 - Press the 'Enter/Exit' and 'On/Remote Standby' buttons simultaneously while plugging the power back into the iScan.

2. What should I do if the picture is green when I use the analog output of my iScan HD/HD+?

A green picture usually means that a component video signal is being sent to the RGBHV input of a display. This happens often when a High Definition component signal is sent to the iScan HD/HD+, and the output of the iScan is being sent to the RGBHV input of a display. If the display only has an RGBHV input available, an HD compatible transcoder will be needed to convert the HD component signal to RGBHV. If you have no HD component signals, follow the instructions to set up your iScan to work with a display with an RGBHV input.

3. Why am I getting a blue screen when I send a High Definition (720p/1080i) component signal to my iScan HD/HD+ unit and connect the iScan to the DVI/HDMI input of my display?

The iScan HD/HD+ component inputs are designed to pass HD signals through to the analog output. This signal will not be digitized to come out of the DVI output. If you have a DVI or HDMI output on the HD source, it should be connected to the iScan's DVI input. If the HD source does not have a DVI/HDMI output, then you will need to use the analog output of the iScan and a component breakout cable to connect your iScan to your display. This cable is available directly from us on our website and through our resellers.

4. Why is the blue 'On/Remote Standby' LED blinking on the front panel of my iScan HD+?

The 'On/Remote Standby' LED on the iScan HD+ will blink blue if the iScan is processing an HDCP protected signal on its DVI input and it is unable to authenticate with the display. Verify that your display is HDCP-compliant. If your display is not HDCP-compliant then you will need to use the component connections from your source and from your iScan to your display. If your display is HDCP-compliant, then verify that the 'HDCP Mode' is set to 'Auto' or 'On' in the 'Configuration' menu. If the problem persists, check your cabling and try new cables, if possible, or try cycling the power on your display or HDCP source to force reauthentication between your display and source.

5. Why is the green 'On/Remote Standby' LED blinking on the front panel of my iScan HD+?

The 'On/Remote Standby' LED on the iScan HD+ will blink green if the iScan is passing an HDCP-encrypted DVI input signal through to a display that is not HDCP-compliant (DVI or Analog). Use component connections from your source(s) to your iScan HD+ to eliminate this issue.

6. Will I lose the settings on my iScan HD/HD+ if I update the software version?

Currently, the iScan HD/HD+ will lose its settings when a major software update is performed. Please take note of your output settings before updating your software.

**Anchor Bay Technologies, Inc.
300 Orchard City Drive, MS 131
Campbell, California 95008**

Setup Questions?

Check our website at www.dvdo.com/setup or contact us directly at help@dvdo.com or by phone at 866.423.3836, extension 2 (Monday - Friday, 9 am to 5 pm PST)